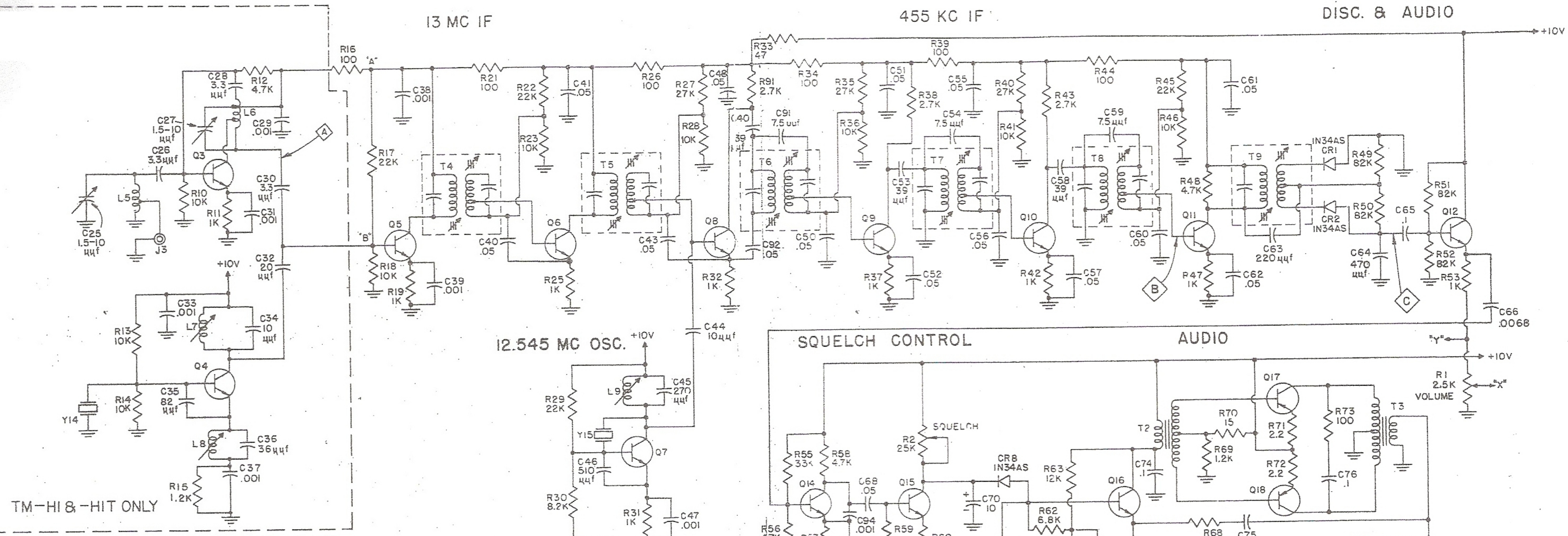


13 MC IF

455 KC IF

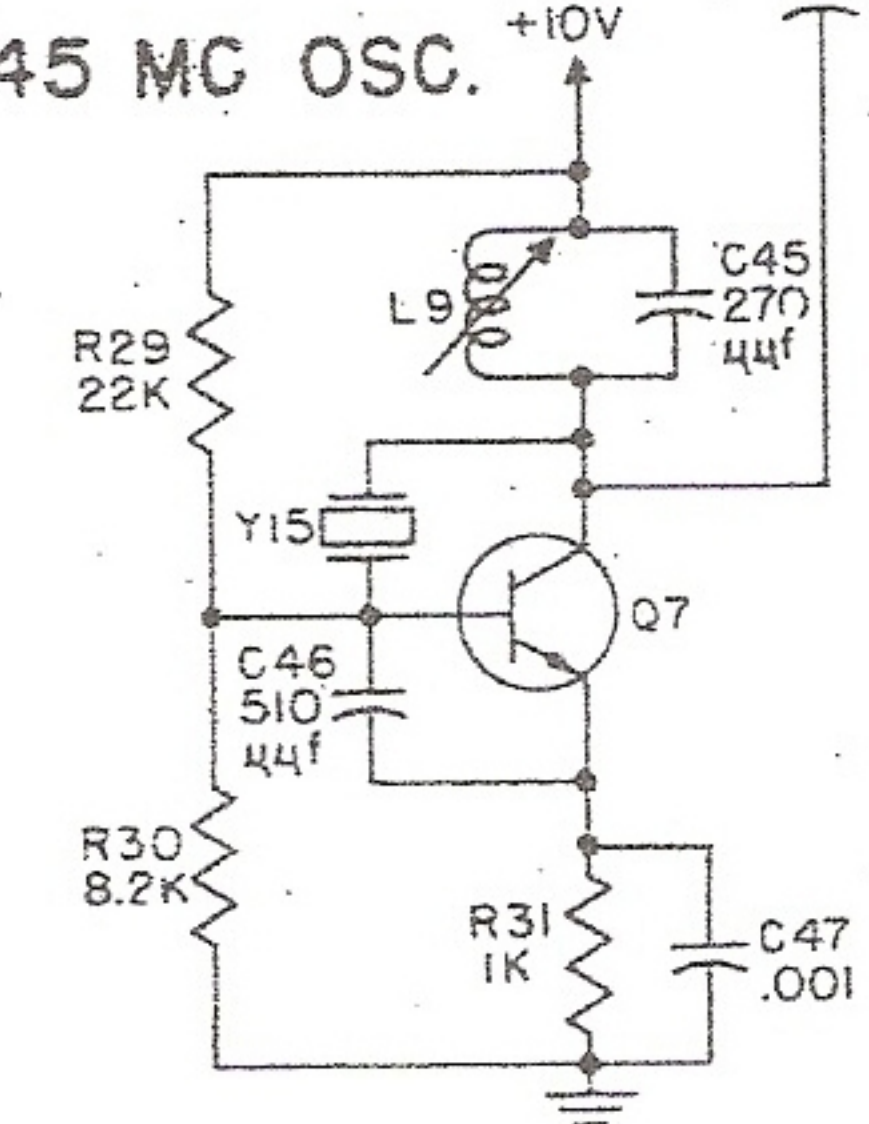
DISC. & AUDIO

+10V

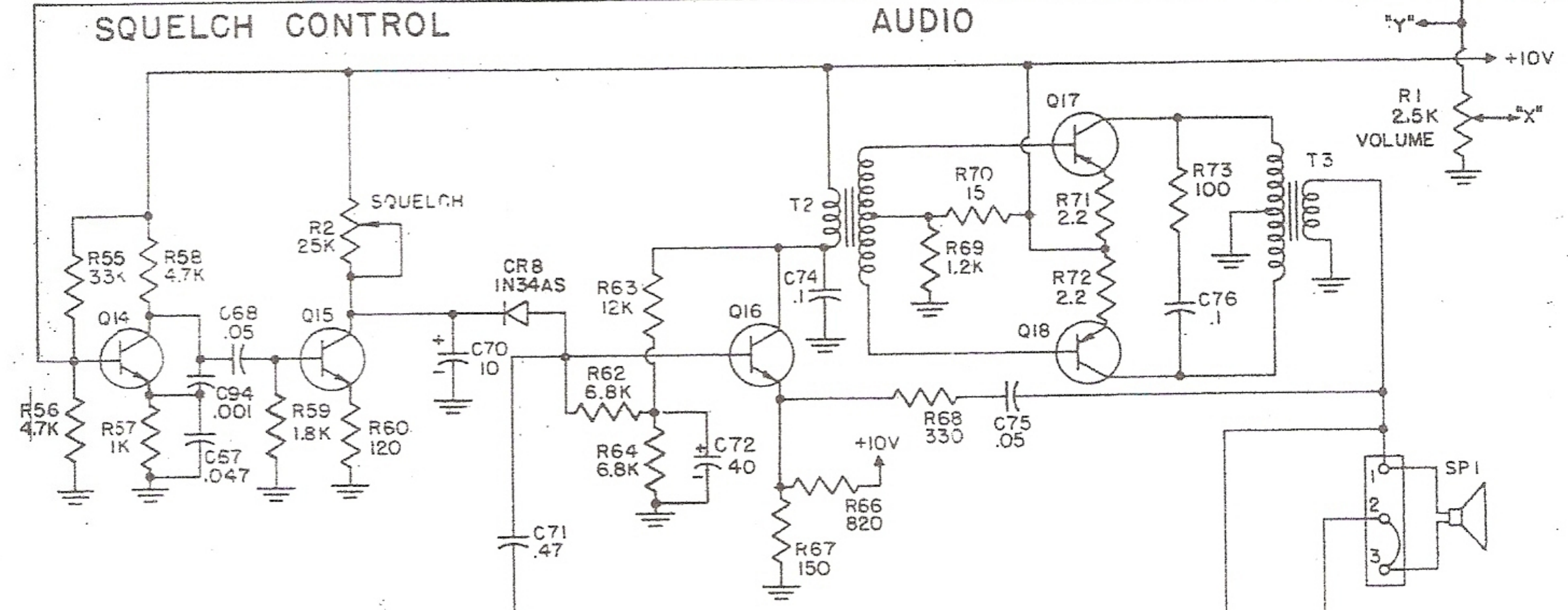


TM-HI & -HIT ONLY

12.545 MC OSC.

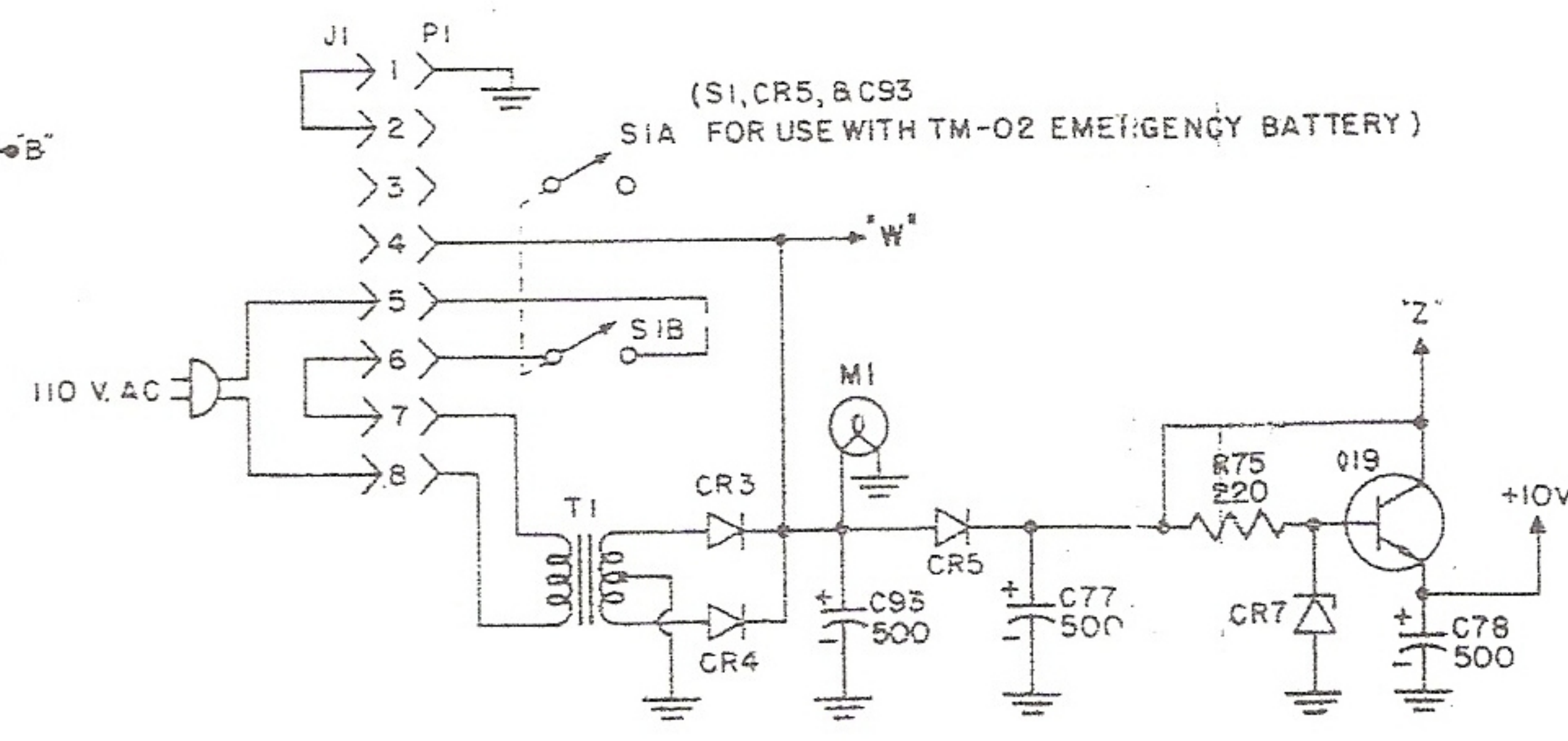


SQUELCH CONTROL

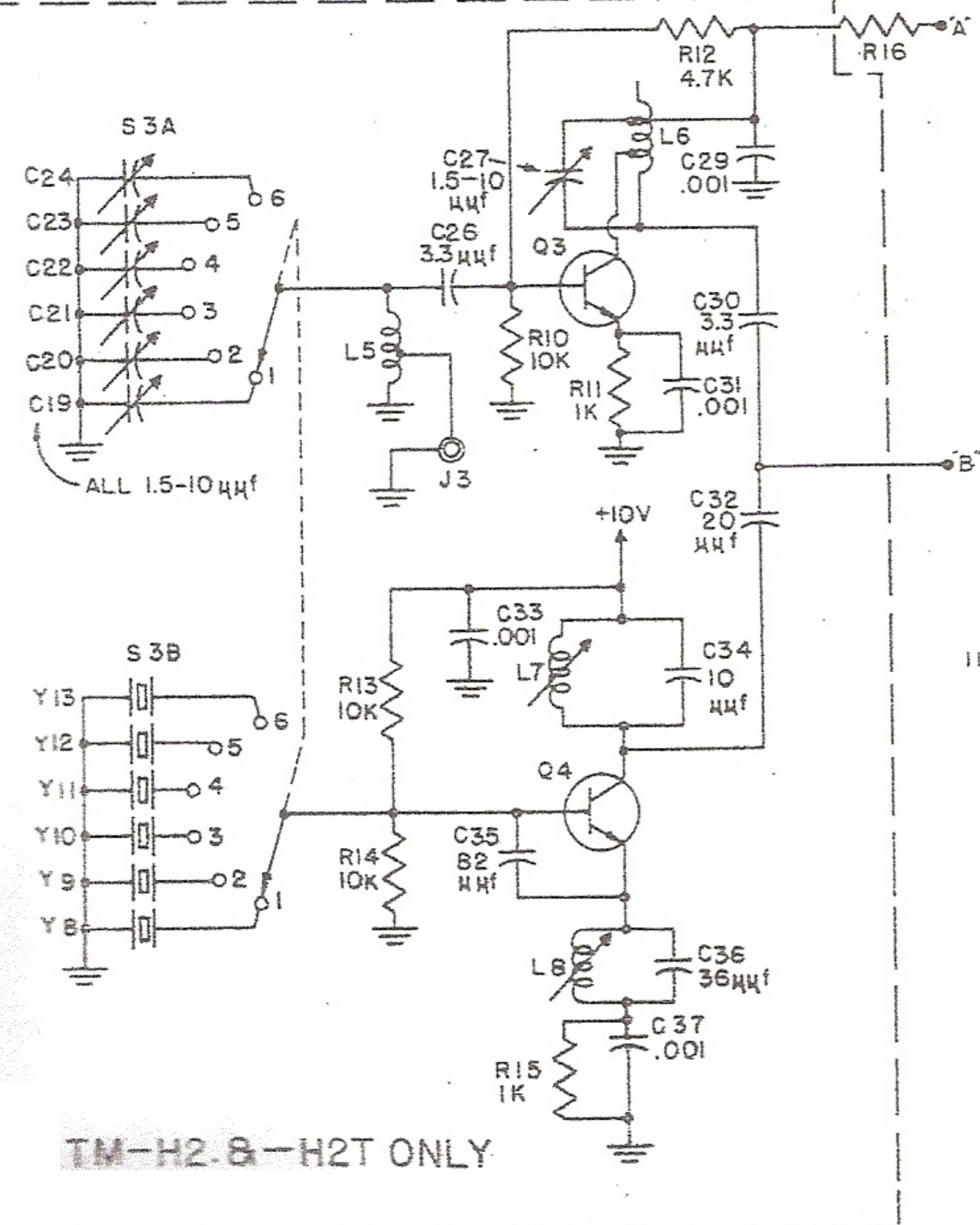


AUDIO

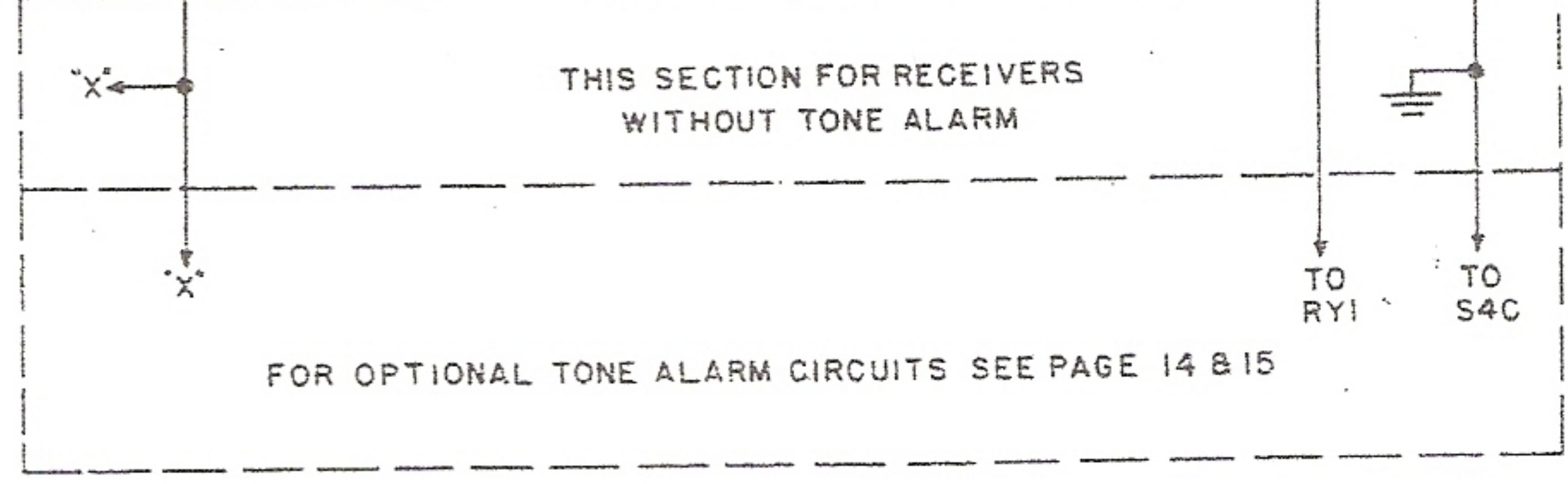
POWER SUPPLY



ALL RESISTOR VALUES ARE IN OHMS & 1/2 WATT UNLESS OTHERWISE SPECIFIED.
 ALL CAPACITOR VALUES ARE IN MICROFARADS UNLESS OTHERWISE SPECIFIED.



TM-H2 & -H2T ONLY



TM-H SERIES 147-174 MC